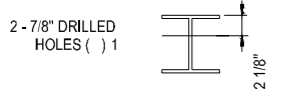
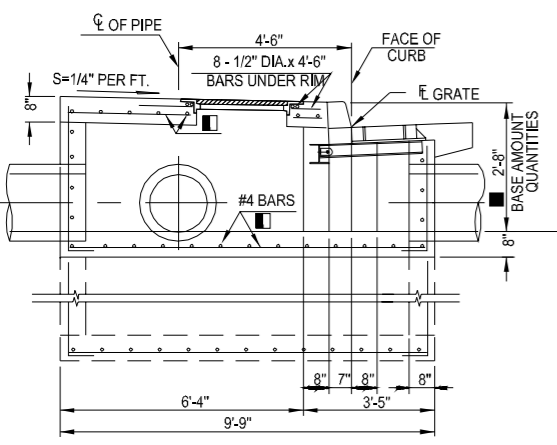


4" x 4" x 3/8" x 2 1/2" CONNECTION CLIPS
 1 - S 4 x 7.7 and 2 - 4" x 4" x 3/8" x 2 1/2" CONNECTION CLIPS FOR AND DES. 2 CONFIGURATION
 3 - S 4 x 7.7 and 6 - 4" x 4" x 3/8" x 2 1/2" CONNECTION CLIPS FOR ANY DES. 3 CONFIGURATION

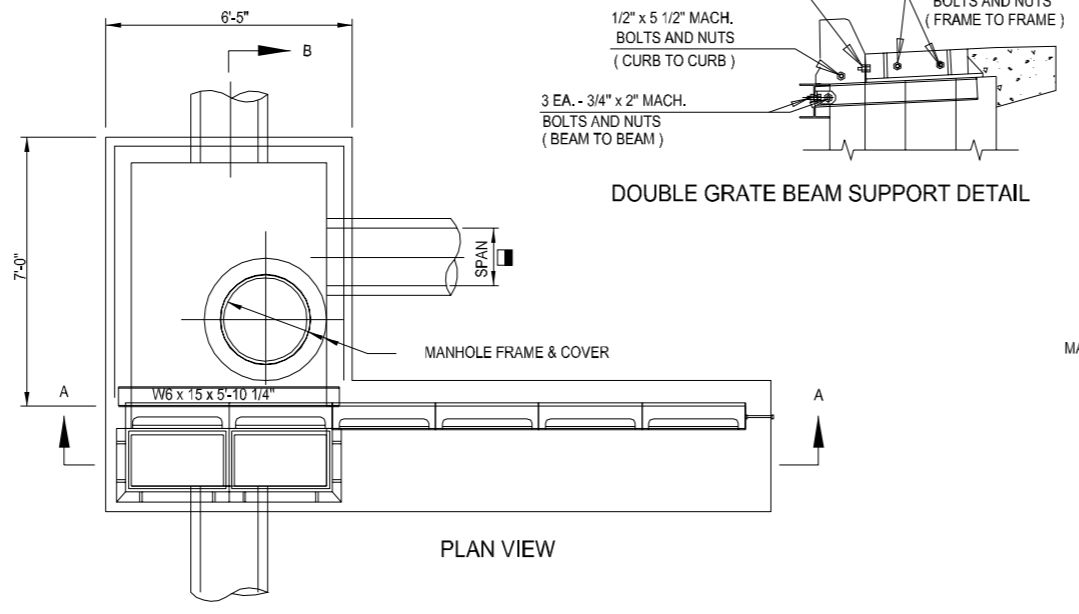


W6 x 15 x 5-10 1/4" FOR ANY DES. 2 CONFIGURATION
 W6 x 15 x 6-8 1/2" FOR ANY DES. 3 CONFIGURATION
 (1) LOWER DRILLED HOLES 3/8" WHEN STRUCTURE IS BUILT ON A CURVED CURB. FOR PLATE DETAILS, SEE STD. SSIF-2

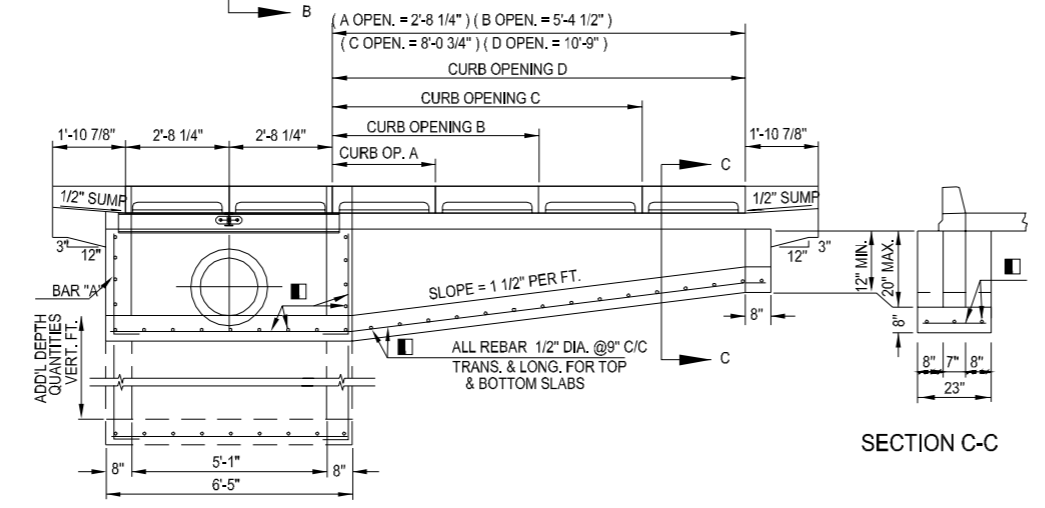
ALL REBAR 1/2" DIA. @ 9" C/C TRANS. & LONG. FOR TOP & BOTTOM SLABS



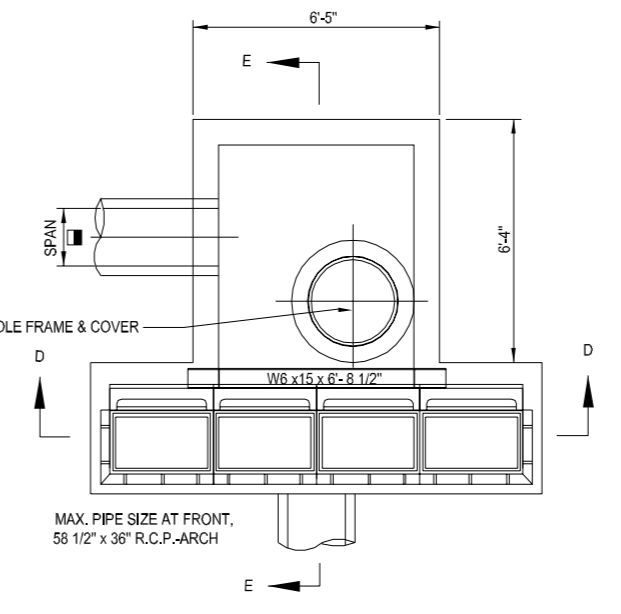
SECTION B-B



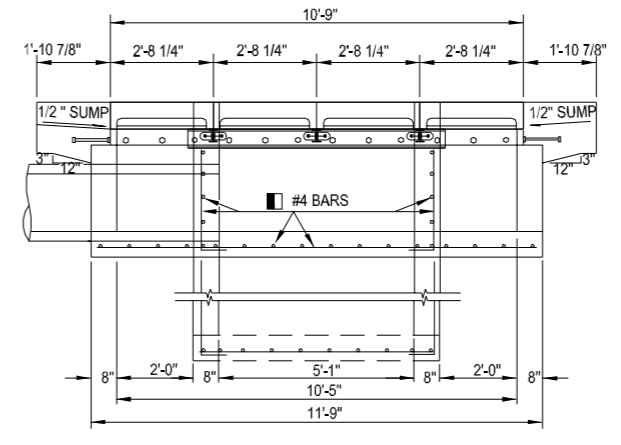
DOUBLE GRATE BEAM SUPPORT DETAIL



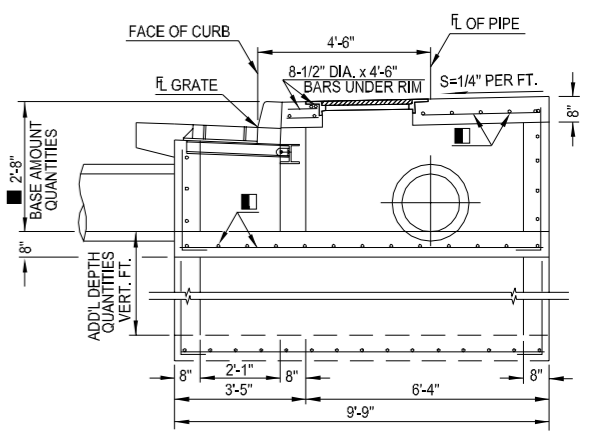
SECTION A-A



PLAN VIEW



SECTION D-D



SECTION E-E

- GENERAL NOTES**
- ALL CONSTRUCTION AND MATERIALS SHALL BE IN ACCORDANCE WITH THE 1988 STANDARD SPECIFICATIONS.
 - STANDARD SSIF-2 FRAMES AND STANDARD CIG-1 GRATES TO BE USED WITH THESE INLETS UNLESS OTHERWISE SPECIFIED.
 - WHEN THE INLET IS BUILT IN NEW CONCRETE PAVEMENT, THE APRON AROUND THE INLET MAYBE BUILT INTEGRAL WITH PAVEMENT, OR SEPARATELY. THE THICKNESS SHALL BE THE SAME AS THE CONCRETE PAVEMENT OR CURB AND GUTTER. IF CONSTRUCTED IN ANY OTHER AREA OR IN EXISTING PAVEMENT, THE APRON AROUND THE INLET SHALL BE BUILT OF P.C. CONCRETE TO A MINIMUM 8 INCH THICKNESS.
 - THERE WILL BE NO DEDUCTION OF PAYMENT FOR CONCRETE CURB AND GUTTER OR P.C. CONCRETE THRU THE EXTENTS OF THE CAST IRON CURB INLETS. DEDUCTION WILL BE MADE FOR PAYMENT ON INTEGRAL CURB THRU THE EXTENTS OF THE CAST IRON CURB INLETS.
 - ALL LETTERING ON CAST IRON ITEMS TO BE RECESSED 1/16 INCH AND SHALL NOT EXCEED 1 INCH IN HEIGHT. INFORMATION REQUIRED AS WELL AS ACCEPTABLE LOCATION SHALL BE AS STATED IN THE SPECIFICATIONS.
 - BOLTS WITH EXPANSION DEVICES OR EPOXY TYPE PUTTY TO BE USED TO INSTALL CURB INLETS INTO CONCRETE CURB. COST OF INSTALLATION TO BE INCLUDED IN PRICE BID FOR CAST IRON CURB INLET.
 - CASTING AS SHOWN HERE SHALL BE CAST STEEL, DUCTILE IRON, OR GRAY CONFORMING TO SECTION 725 OF THE 1988 STANDARD SPECIFICATIONS. REFER TO STANDARD CIG-1 FOR TYPES OF CAST IRON CURB INLETS, DETAIL OF CONNECTION ANGLE IRON & CAST IRON CURB AND DETAIL OF CONNECTION FRAME & CAST IRON CURB.
 - REFER TO STANDARD SBI-1 FOR UNCLASSIFIED EXCAVATION AND STRUCTURAL EXCAVATION. REFER TO STANDARD MFC-2 FOR DETAILS OF FRAME AND COVER.

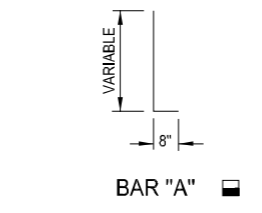
DESIGN 2 - DOUBLE GRATE

○ QUANTITIES SHOWN INCLUDE QUANTITIES REQUIRED TO CONSTRUCT GRATED CURB INLET AND ADDITIONAL CURB OPENINGS. INLET QUANTITIES FOR DEPTHS GREATER THAN 2'-8" (L GRATE TO L INLET) WILL BE MULTIPLIED BY THE ADD'L CU. YD. PER VERT. FT. AMOUNT AND ADDED TO THE BASE AMOUNT. LEADS LARGER THAN 18" TO BE DEDUCTED FROM INLET QUANTITIES.

▲ QUANTITIES SHOWN ARE FOR 2 DOUBLE GRATE INLETS.

STANDARD INLET DEPTH	
INLET W/SMALL JUNCTION BOX	2'-8" FOR 18" R.C.P. & 28 1/2" x 18" REINF. CONC. ARCH PIPE 3'-2" FOR 24" R.C.P. & 36 1/4" x 22 1/2" REINF. CONC. ARCH PIPE 3'-8" FOR 30" R.C.P. & 43 3/4" x 26 5/8" REINF. CONC. ARCH PIPE 4'-2" FOR 36" R.C.P. & 58 1/2" x 36" REINF. CONC. ARCH PIPE
W/LARGE JUNC. BOX	4'-8" FOR 42" R.C.P. 5'-2" FOR 48" R.C.P.
MAX. PIPE SIZE AT UPSTREAM SIDE OR WITH ADDITIONAL CURB OPENINGS, 58 1/2" x 36" R.C.P.-ARCH	

QUANTITIES (FOR 18" RCP MIN. DEPTH)									
INLET DESIGN	CURB OPEN DESIGNATION	CLASS "A" CONCRETE		REINF. STEEL	STR. EXC.	INLET FRAME & GRATE		ANGLE IRON	
		BASE AMOUNT C.Y.	ADD'L CY PER VERT. FT.			EACH	EACH	NO.	LENGTH
2		4.45	0.73	213.60	2.32	2	2		
2	A	4.85	0.87	227.07	2.52	2	3	1	2'-5 3/8"
2	B	5.20	1.01	240.25	2.71	2	4	1	5'-1 5/8"
2	C	5.51	1.14	251.48	2.90	2	5	1	7'-9 7/8"
2	D	5.83	1.27	264.66	3.09	2	6	1	10'-6 1/8"
2	2A	5.26	1.00	240.54	2.72	2	4	2	2'-5 3/8" 2'-5 3/8"
2	A-B	5.61	1.14	253.72	2.91	2	5	2	2'-5 3/8" 5'-1 5/8"
2	A-C	5.92	1.27	264.95	3.10	2	6	2	2'-5 3/8" 7'-9 7/8"
2	2B	5.96	1.28	266.90	3.10	2	6	2	5'-1 5/8" 5'-1 5/8"
2	B-C	6.27	1.41	278.13	3.29	2	7	2	5'-1 5/8" 7'-9 7/8"
2	B-D	6.59	1.54	291.31	3.48	2	8	2	5'-1 5/8" 10'-6 1/8"
2	2D	7.22	1.80	315.72	3.86	2	10	2	10'-6 1/8" 10'-6 1/8"
3		5.81	1.10	247.14	2.99	4	4		
3	B	6.57	1.38	290.12	3.38	4	6	1	5'-1 5/8"
3	D	7.20	1.64	318.12	3.76	4	8	1	10'-6 1/8"
3	2-B	7.33	1.66	333.10	3.77	4	8	2	5'-1 5/8" 5'-1 5/8"
3	B-D	7.96	1.92	361.10	4.15	4	10	2	5'-1 5/8" 10'-6 1/8"
3	2-D	8.59	2.18	389.10	4.53	4	12	2	10'-6 1/8" 10'-6 1/8"



QUANTITIES FOR BAR "A" ARE INCLUDED ON THE SUMMARY OF DRAINAGE STRUCTURES AS REINFORCING STEEL IF STEEL IS NOT INCLUDED WITH PAYMENT FOR THE INLET.

DESIGN 3 - MULTI GRATE

BASIS OF PAYMENT		
ITEM NO.	ITEM	UNIT
202 () C	UNCLASSIFIED EXCAVATION	CU. YD.
501 () A	STRUCTURAL EXCAVATION, UNCLASSIFIED	CU. YD.
509 () C	CLASS A CONCRETE FOR SMALL STRUCTURES	CU. YD.
511 () A	REINFORCING STEEL	LB.
611 () D	MANHOLE FRAME AND COVER	EA.
611 () G	INLET FRAME AND GRATE	EA.
611 () K	CAST IRON CURB INLET	EA.
611 () E	INLET W/SMALL JUNCTION BOX ()	EA.
611 () E	INLET W/LARGE JUNCTION BOX ()	EA.
611 () F	INLET W/SMALL JUNCTION BOX () ADD'L DEPTH	V.F.
611 () F	INLET W/LARGE JUNCTION BOX () ADD'L DEPTH	V.F.

* FOR QUANTITIES OF CLASS A CONCRETE LESS THAN 10.0 C.Y.
 ■ INLET DESIGN NO. (FULL DESCRIPTION) SHALL BE SPECIFIED, I.E. DESIGN 2(2B) or 3(B-D)
 ▣ INLET DESIGN NO. SHALL BE SPECIFIED, I.E. DESIGN 2 OR 3